

## Lecturer Tracking PTZ Camera LTC5-A2001N



**Tracking is based on industry-leading deep-learning technology to precisely detect and track lecturer, supporting IP control and preview, optional POE.**

### Intelligent Tracking

- Smooth tracking performance, free from interference of other moving objects, even if the target turns around, stands still for a long time or other small gestures will not affect the tracking effect
- Track lecturer all around the classroom, even if lecturer walks into student area
- Auto adjust as per the height of lecturer

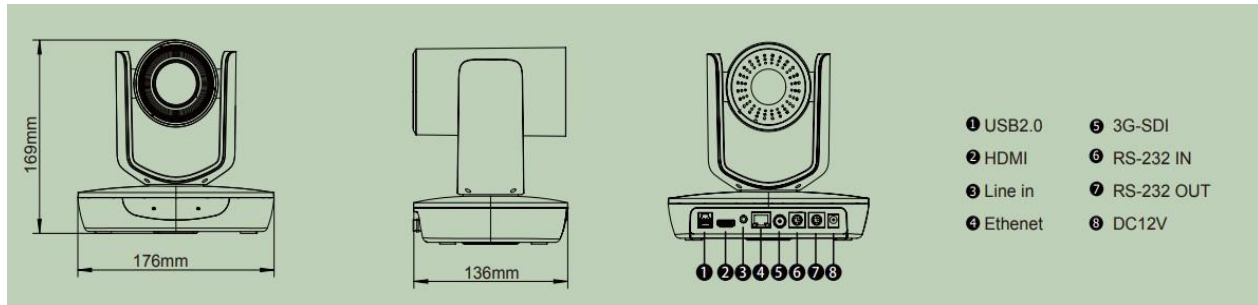
### Rich Interface

- Support HDMI, 3G-SDI, Ethernet, USB up to 1080p60 video output
- 1 channel audio LINE IN, AAC compression
- Optional POE

### IP & NDI Implementation

- H.265/H.264 video compression
- Support dual stream\* NDI® | HX supported

## Dimensions



## Technical Specification

<b>Model No.</b>	<b>LTC5-A2001N</b>
<b>Tracking Camera</b>	
<b>Image Sensor</b>	1/2.8" Exmor CMOS, 2.14MP
<b>Focal Lens</b>	f = 5.2 - 98mm
<b>Zoom</b>	Optical: 20X, Digital: 12X
<b>Field of View</b>	59.5° - 2.9°
<b>Focus</b>	Auto, Manual, PTZ Trigger, One Push Trigger
<b>Gain</b>	Auto / Manual
<b>White Balance</b>	Auto, Indoor, Outdoor, One push, Manual, Auto Tracking
<b>Exposure Control</b>	Auto, Manual, Shutter Priority, Iris Priority
<b>PTZ</b>	
<b>Pan/Tilt Angle Range</b>	Pan: -170° - +170° ; Tilt: -30° - +90°
<b>Pan/Tilt Speed</b>	Pan: 0.2° - +120°/s ; Tilt: 0.2° - +90°/s
<b>Preset Number</b>	64
<b>Video Format</b>	1080P60/50/30/25, 720P60/50
<b>Network</b>	
<b>Resolution</b>	1920x1080 @ 60fps
<b>Striim</b>	H.264/H.265 Audio AAC
<b>Control protocol</b>	ONVIF, RTSP, RTMP, HTTP, TCP, UDP
<b>Dual Stream</b>	Support
<b>USB Interface</b>	
<b>USB Interface</b>	USB2.0 Type-A UVC, UAC
<b>Video Interface</b>	
<b>Video Interface</b>	H.264/MJPEG
<b>Image Size</b>	1920 x 1080, 1280 x 720, 640 x 360
<b>Video Interface</b>	HDMI 1.4/3G-SDI
<b>Network Interface</b>	RJ45(100M) interface, optional POE
<b>Protocol</b>	RS232, VISCA, PELCO-P, PELCO-D